

# wallas<sup>®</sup>



Model  
**1300**

## The Benchmark in Forced Air Kerosene Heat

---

**This new super clean burning heater is a major breakthrough design, incorporating several new features:**

- New clean burning combustion system minimizes heater maintenance
- Exceptionally low battery current draw and noise level
- Safe closed combustion with balanced draft
- Low maintenance, reliable design
- Quick and easy installation





## WALLAS 1300 cabin heater

Wallas 1300 is a small and compact cabin heater with closed combustion and balanced draught exhaust. Despite the compact size the heat output is sufficient to heat well one ordinary cabin or wheelhouse. The 1300 is so the ideal heater for smaller sail- and motorboats and for fishing- and workboats.

★ The current consumption is only 0.4 A and the heater runs very silently thanks to the low speed of the warm air blower.

★ The 1300 is additionally odourless and does not – contrary to many other kerosene heaters – produce any kerosene smell in the cabin.

★ The installation is extremely easy. The operation control and on-off switch is located on the other end of the heater. With the bypacked mounting fitting the heater can be mounted alternatively hanging from the deck exhaust head or on bulkhead.

### SPECIFICATIONS:

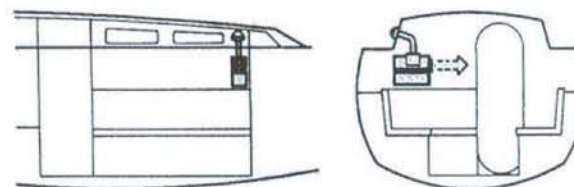
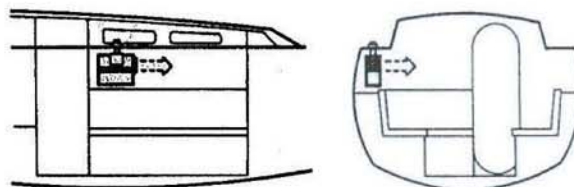
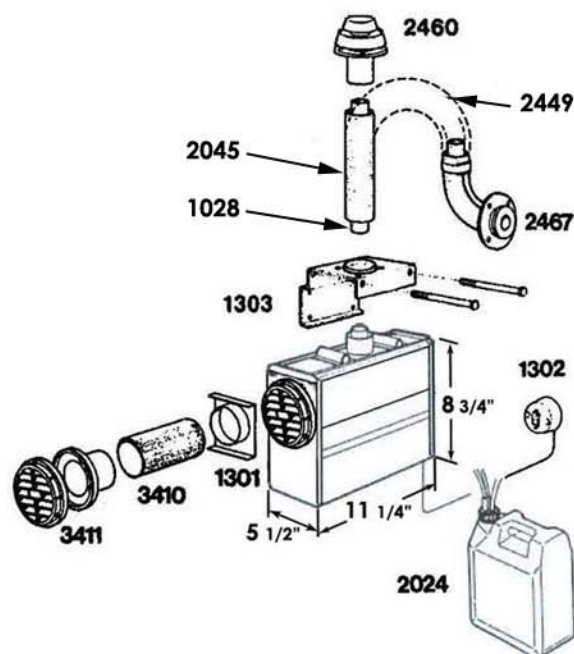
Fuel:	Kerosene
Fuel consumption:	approx. 4.2oz./hr
Heat output:	approx. 1200W (4200 btu)
Supply voltage:	12 VDC
Current consumption:	approx. 0.4 Amperes
Dimensions:	Height: 220 mm
	Length: 285 mm
	Depth: 115 mm
Weight:	approx. 11 lb.
Exhaust tube diam.:	28/45 mm
Warm air duct diam.:	75 mm

### Standard equipment:

Heater 1300 with hinge plate & mounting kit 1303 for deck or bulkhead mounting, fuel tubes & tank fitting and 4 metres battery supply cable.

### Accessories:

- # 2467 Duplex exhaust through hull
- # 1028 28mm flexible exhaust tubing
- # 2045 45mm flexible exhaust tubing
- # 2449 45mm woven fiberglass insulation
- # 2460 Closeable deck exhaust fitting
- # 2024 Fuel tank, 5 Liter
- # 2027 Fuel tank, 10 Liter
- # 3410 75mm duct (3' max)
- # 3411 75mm vent
- # 1302 Remote panel



### Factory Authorized Sales & Service Center

2144 Westlake Ave N Suite D  
 Seattle, WA 98109 USA  
 PH: 206-285-3675 Fax: 206-285-9532  
 service@scanmarineusa.com  
 www.scanmarineusa.com