

wallas[®]



Model

1800

The Sailor's Choice in Forced Air Kerosene Heat

This new super clean burning heater is a major breakthrough design, incorporating several new features:

- New clean burning combustion system minimizes heater maintenance
- Exceptionally low battery current draw and noise level
- Safe closed combustion with balanced draft
- Low maintenance, reliable design
- Quick and easy installation

imported and distributed by:





WALLAS 1800 cabin heater

The Wallas 1800 is a compact kerosene cabin heater with a closed combustion chamber and balanced draught exhaust. Despite its compact size, the 1800 will produce 5,800 BTU at full power, 3,100 BTU at the half power setting - enough to heat the cabin on most 22 to 28 foot sailboats.

- Low current consumption, quiet operation, smoke free operation and reliability make the 1800 a great choice for year round comfort.
- Two speed/power settings allow for more versatile and efficient operation under a variety of conditions.
- Comes equipped with remote control panel and wiring harness. Thermostatic control optional.
- Kit includes mounting hinge plate for easy service removal and reinstallation.

SPECIFICATIONS:

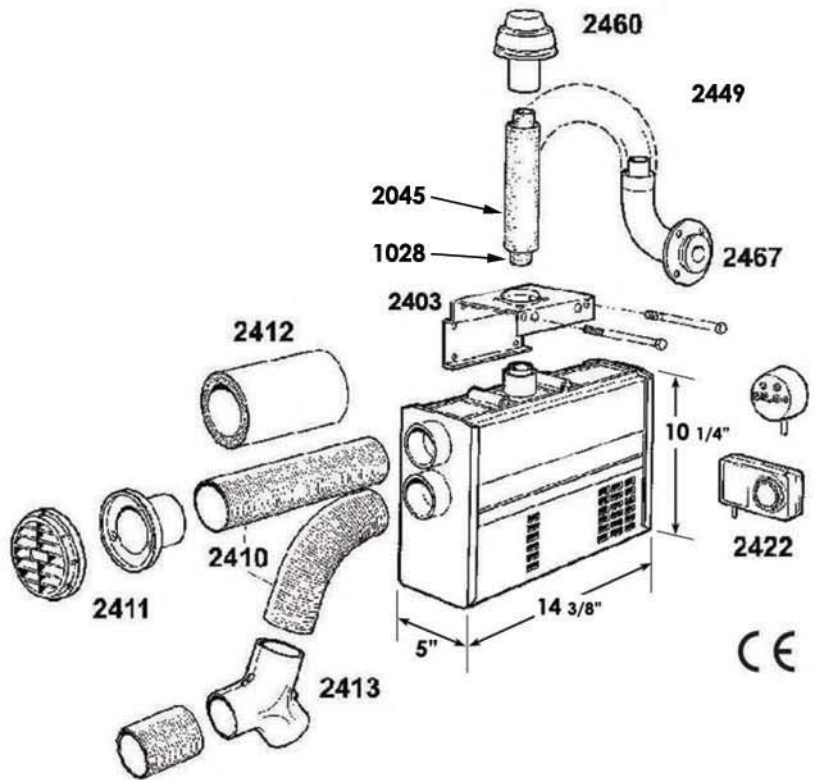
Fuel:	Kerosene
Fuel consumption:	approx. 6oz/hr at max approx. 3.4oz/hr at half setting
Max Heat output:	approx. 1700W (5950 btu)
Half setting output:	approx. 900W (3150 btu)
Supply voltage:	12V
Current consumption:	0.5 Amps max 0.35 Amps half setting
Dimensions:	Height: 260mm Length: 365mm Width: 125mm
Weight:	approx. 17.6 lb.
Exhaust tube diam:	28/45 mm
Warm air duct diam:	60 mm

Standard Equipment:

1800 heater with 2403 hinge plate kit for deck or bulkhead mounting, 4 meter fuel lines & tank fitting and 4 meters of battery supply cables.

Accessories:

- # 2467 Duplex exhaust through hull
- # 1028 28mm flexible exhaust tubing
- # 2045 45mm flexible exhaust tubing
- # 2449 45mm woven fiberglass insulation
- # 2460 Closeable deck exhaust fitting
- # 2024 Fuel tank, 5 Liter
- # 2027 Fuel tank, 10 Liter
- # 2410 Warm air duct 60mm
- # 2411 Warm air register 60mm
- # 2413 Warm air wye



INSTALLATION EXAMPLES:

