



wallas®



SAFEFLAME 88DU

Flush Mount Diesel Stove

- Safe, no-open flame operation.
- Super high fuel and power efficiency.
- All combustion exhaust gases and water vapor is vented outside, keeping cabin dry.
- Clean, soot-free, reliable design minimizes maintenance.
- Great looking all-ceramic design is sealed to counter for easy cleaning.
- Fast, easy installation.
- Diesel fuel can be drawn directly from main fuel tank or from a day tank.
- Silent, variable output allows wide temperature range control.

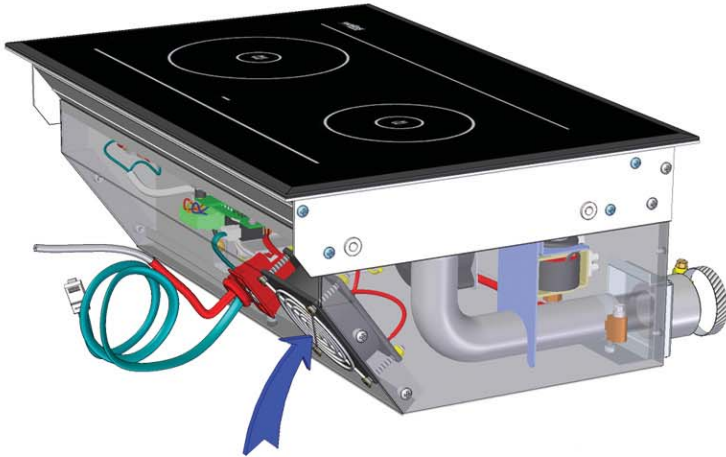
imported and distributed by:



Factory Authorized Sales & Service Center

2144 Westlake Ave N Suite D
Seattle, WA 98109 USA
PH: 206-285-3675 Fax: 206-285-9532
service@scanmarineusa.com
www.scanmarineusa.com

Wallas SafeFlame 88DU Flush Mount Diesel Stove



The Safeflame 88DU Ceramic stove is the modern solution for all your onboard cooking needs. Features such as fast cooking effect, easy to clean cooktop and automatic priming make it as convenient as your stove at home. The closed combustion chamber design makes cooking enjoyable, with all fumes vented overboard, keeping your cabin fresh and dry. Capable of running on diesel or kerosene, the 88DU is versatile and will provide years of reliable service.

SPECIFICATIONS:

Heat output:	2,000 - 6,650 btu
Fuel type:	Diesel or Kerosene
Fuel consumption:	3 to 6.5 oz/hour
Voltage:	12VDC
Full power amps:	.30
Starting amps:	8.0 for 3.5 min.
Weight	20 lbs

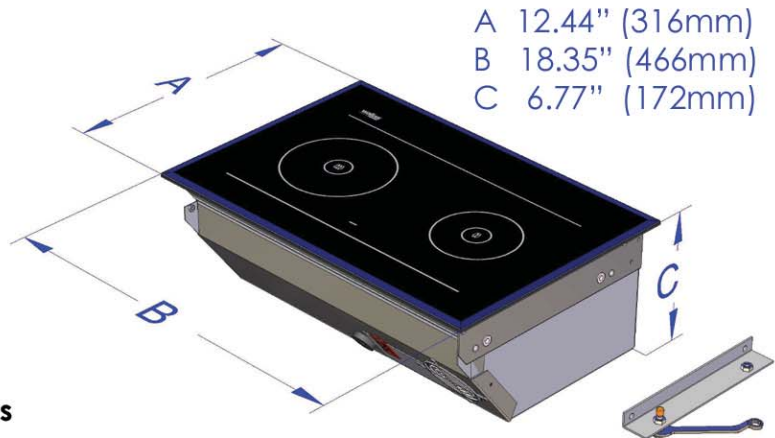
INCLUDED EQUIPMENT:

- 1 each 13 ft fuel line, filter and adapters
- 1 each 13 ft battery cables with fuse

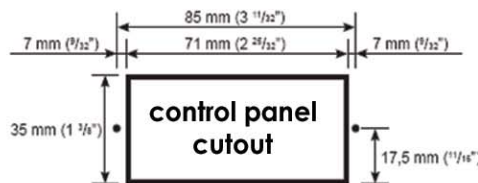
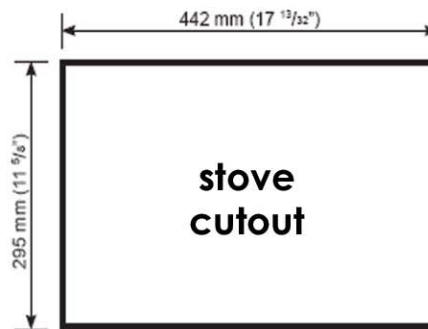
OPTIONS AND ACCESSORIES:

- 2467 Exhaust through hull
- 3467 Exhaust through deck or hull
- 2460 Closeable exhaust through deck or hull
- 602307 adapter
- 1028 28mm flexible SS exhaust pipe
- 2045 45mm flexible SS vent pipe
- 3430 Inlet pipe

- 1112 Pot holders
- 2024 5 liter fuel tank
- 2027 10 liter fuel tank
- 30011 Fuel tank pickup



A 12.44" (316mm)
 B 18.35" (466mm)
 C 6.77" (172mm)



B88DU 11/09