

Spartan

diesel heater

4,700 to 15,400 btu



wallas®



Quiet

Laminar combustion means silent exhaust. Variable power keeps interior noise well below conversational levels.



Low Amps

0.7 - 4.5A running power consumption means the highest heating power per amp in its class.



Reliable

Wallas provides a 3 year, 2,000 hour warranty. Each product is fully factory tested before it is delivered. All major components are fully replaceable.



- Variable speed, high power brushless motors for long, clean running service life.
- Coaxial exhaust for safety and efficient, wind resistant operation.



The new Wallas control panel provides the following functions:

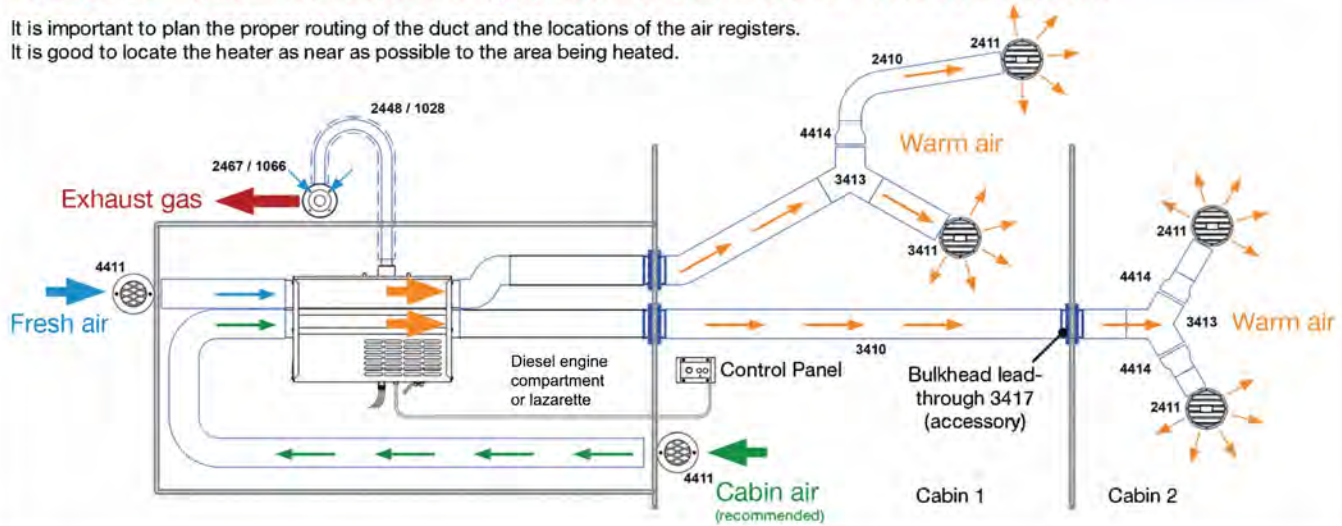


- Smooth, controlled power by thermostat control, or
- Manual power control
- Smartphone and WiFi App control
- Fresh air ventilation mode and air boost
- Future updates by WiFi
- Multiple wired and/or wireless thermo sensing points
- Enjoy the feeling of warmth in your boat with Wallas forced-air heat

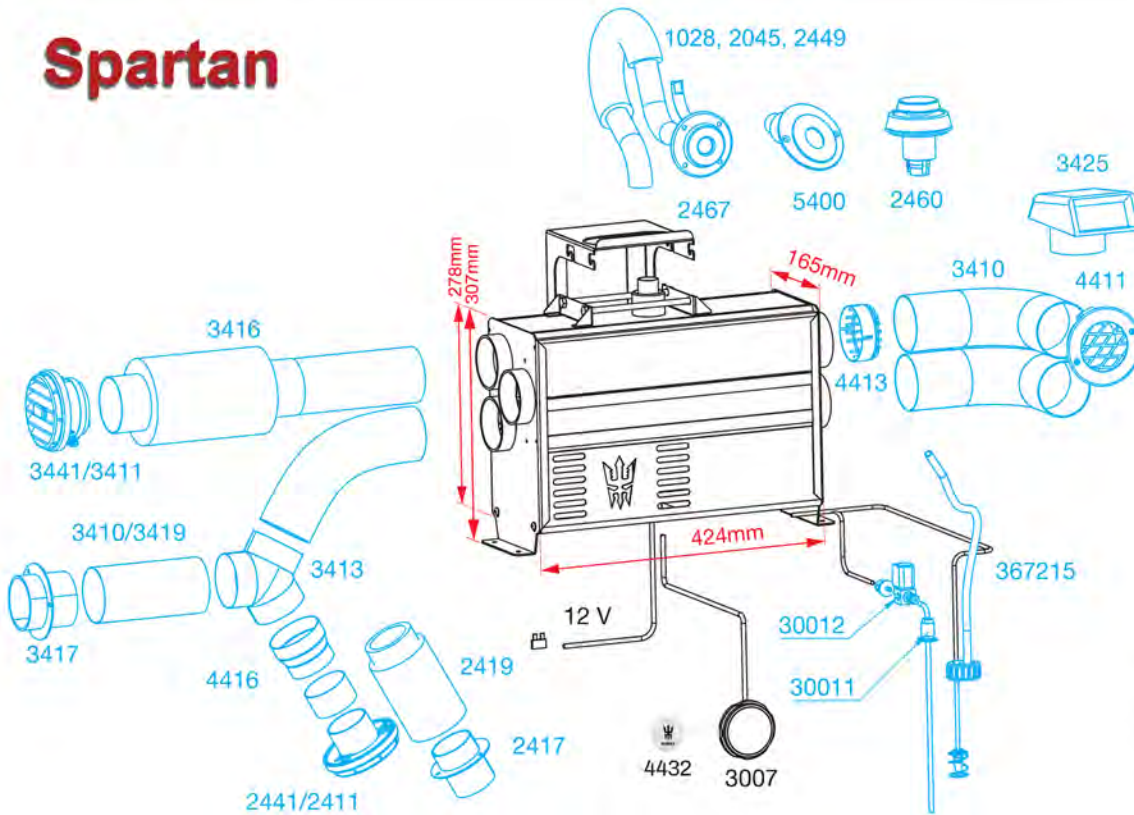
Wallas Spartan heaters can be installed in a lazarette, a closet, behind seating, or in a diesel engine room, thanks to dedicated makeup air inlet fittings.

Example of heater installation in engine room or other location outside the cabin:

It is important to plan the proper routing of the duct and the locations of the air registers. It is good to locate the heater as near as possible to the area being heated.



Spartan



Installation accessories

- 3410 Outlet & intake ducting
- 3411 Outlet grill
- 4411 Inlet grill
- 3412 Insulation hose
- 2448 Exhaust tube (coaxial)
- 2467 Hull lead-through
- 4413 Intake grill (if duct not used)
- 3413 Warm air 3-way divider

Technical specifications



Model:	Spartan
Fuel:	Diesel
Power:	1.6kWh - 4.5kWh (4,700btu - 15,400btu)
Operating voltage:	12V
Fuel consumption:	5.5 - 15.7 oz/hr
Electricity consumption:	0.7 - 4.5A
Air volume:	60cfm - 134cfm
Special features:	Fresh air vent

10 - 15 m



2144 Westlake Avenue N., Suite D - Seattle, WA 98109 USA
 Toll Free: 1-888-606-6665
 Phone: 206-285-3675 Fax: 206-285-9532
 info@scanmarineusa.com - www.scanmarineusa.com