

**clean  
diesel  
cooking!**



**wallas®**



**85Dt  
Flush Mount  
Diesel Stove**



Control  
Panel

- No exposed flame for safety.
- Super quiet, variable output, high power.
- Great looking ceramic cooktop for easy cleaning.
- All combustion gases and water vapor are vented outside, keeping cabin dry.
- Control panel allows for altitude compensation when running in the mountains.
- Clean, soot free, reliable design, brushless motors minimize maintenance.
- Easy to install, also available in DP countertop version.
- Diesel fuel can be drawn directly from the main fuel tank or a day tank.
- Superb corrosion free stainless steel and aluminum construction.
- Orange light in ceramic warns users about hot surface.
- Aluminum frame protects ceramic from chipping or other damage.

imported and distributed by:



**Factory Authorized Sales & Service Center**  
2144 Westlake Ave. N., Suite D  
Seattle, WA 98109 USA  
Ph: 206-285-3675 - Fax: 206-285-9532  
info@scanmarineusa.com  
www.scanmarineusa.com

# Wallas 85Dt flush mount diesel stove

The Wallas 85Dt Ceramic stove is the modern solution for all your mobile cooking needs. It is available in either the flush mount Dt or the surface mount DP model. Features like fast cooking effect, easy to clean cooktop and automatic priming make it as convenient as your stove at home. The closed combustion chamber design makes cooking fun, with all fumes vented outside, keeping your cabin fresh and dry. Capable of running on diesel #2 or diesel #1, the Wallas 85Dt is efficient, versatile and will provide years of reliable service.



## SPECIFICATIONS:

Fuel type: Diesel #2, #1  
 Fuel consumption: 3 to 6.5 oz/hour  
 Voltage: 12VDC  
 Full power amps: .25  
 Min. power amps: .15  
 Starting amps: 8.0 for 3.5 min.  
 Weight: 19 lbs

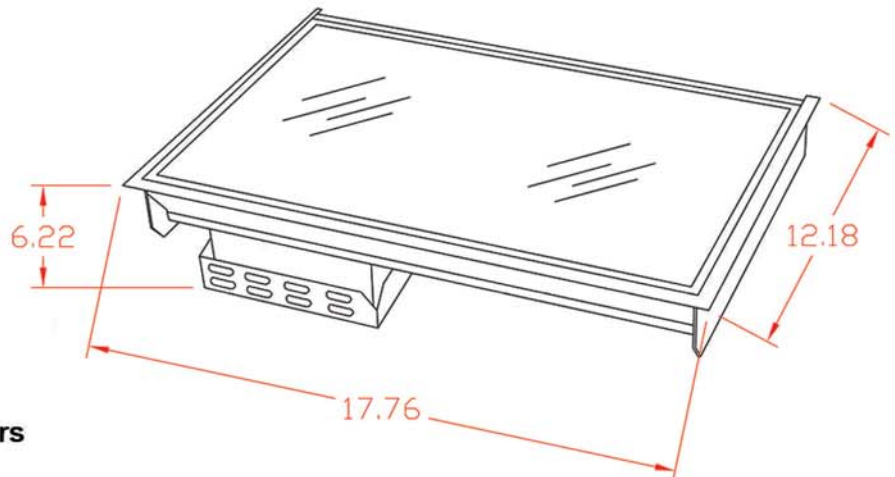
## INCLUDED EQUIPMENT:

1 each 13 ft fuel line, filter and adapters  
 1 each 13 ft battery cables with fuse  
 1 each Control panel with 9 ft cable

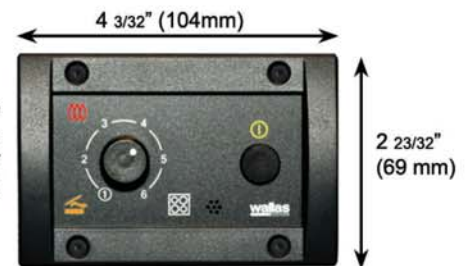
## OPTIONS AND ACCESSORIES:

1066 Exhaust through hull  
 3467 Exhaust through deck or hull  
 2460 Closeable exhaust through deck or hull  
 602307 adapter  
 1028 28mm flexible SS exhaust pipe  
 1029 Fiberglass insulation

1110 Pot holders  
 2024 5 liter fuel tank  
 2027 10 liter fuel tank  
 30011 Fuel tank pickup



Note 1: There should be a minimum of 8" clearance below the counter top.  
 Note 2: Fuel should remain below stove at all times.  
 Note 3: Cabinet below unit should have a minimum of 8 sq. inches of ventilation 3" below counter top.



The control panel should be mounted on a vertical surface. It comes with a bezel, or can be flush mounted.