



wallas®

22GB
diesel heater
3,400 to 8,600 btu



Low Amps

0.7 - 1.2A running power consumption means the lowest net power usage in its class.



Quiet

Laminar combustion means silent exhaust. Variable power keeps interior noise well below conversational levels.



Reliable

Wallas provides a 3 year, 2,000 hour warranty. Each product is fully factory tested before it is delivered. All major components are fully replaceable.



- All variable speed brushless motors for long, clean running service life.
- Coaxial exhaust for safety and efficient, wind resistant operation.



The Wallas PI control panel provides the following functions:



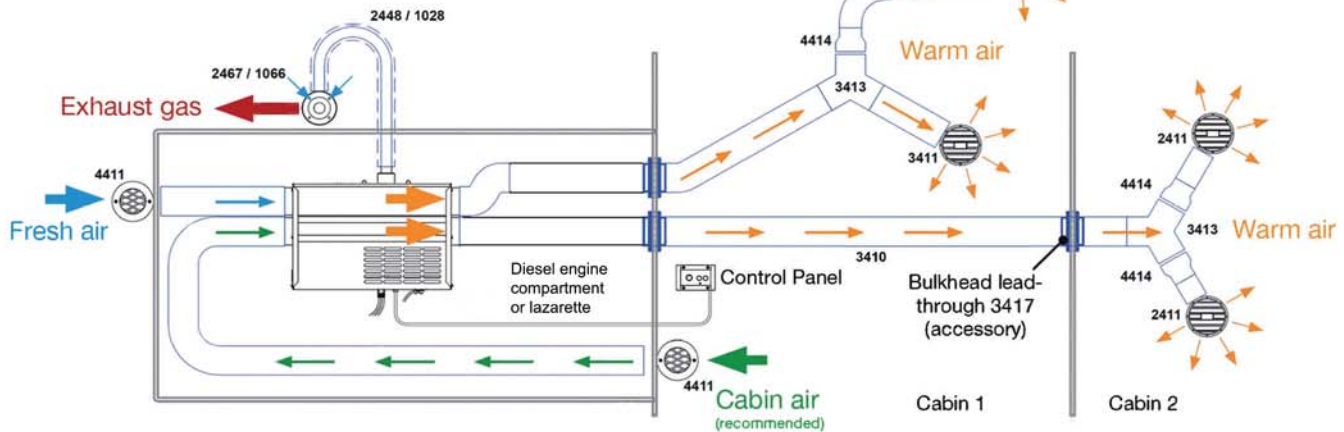
- Smooth PI-controlled power by Thermo Control, or
- Manual power control
- Last mode memory (thermo control or manual)
- Two-step air boost function
- Fresh air ventilation mode
- Sun-switch
- LED background lights
- Protection against accidental start and stop (child-safe)
- Flush mount or surface mounted

Enjoy the feeling of warmth in your boat with Wallas forced-air diesel heaters. Wallas PI-Thermo Control automatically adjusts heat output to the correct level to keep room temperature just where you want it.

Wallas GB heaters can be installed in a lazarette, a closet, behind seating, or in a diesel engine room, thanks to dedicated makeup air inlet fittings.

Example of GB heater installation in engine room or other location outside the cabin:

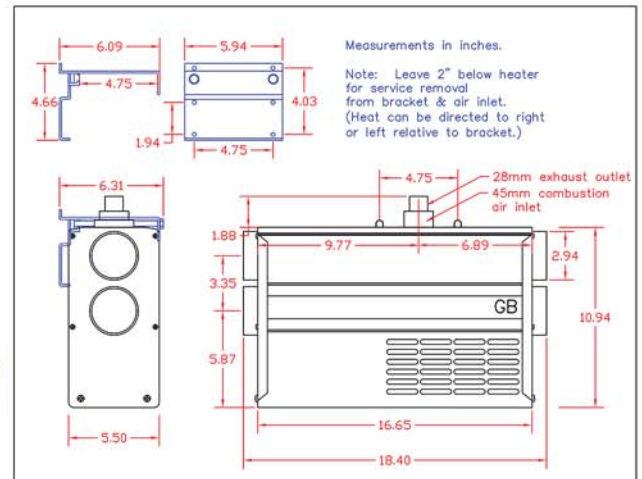
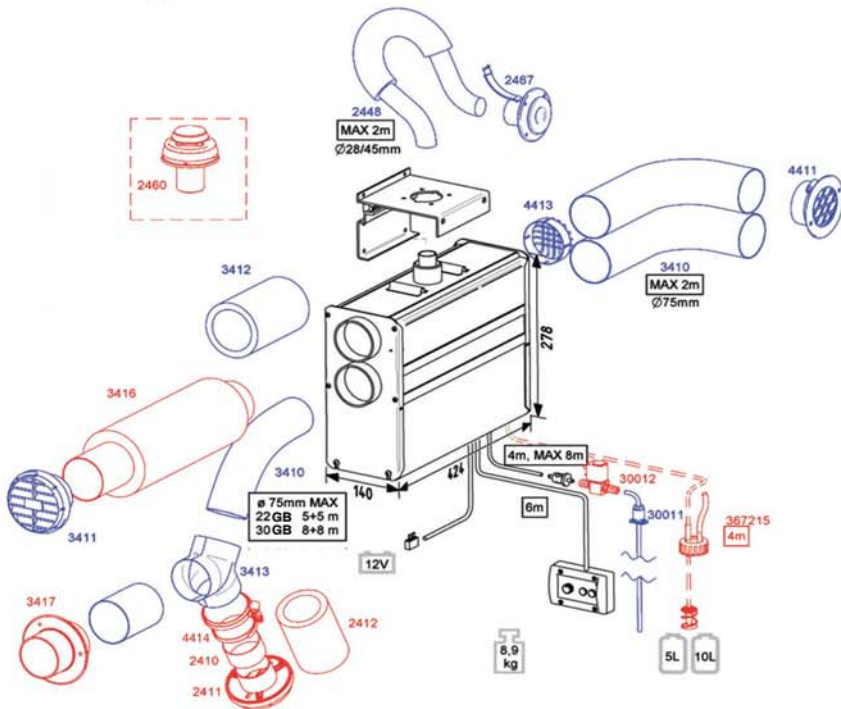
It is important to plan the proper routing of the duct and the locations of the air registers. It is good to locate the heater as near as possible to the area being heated.



The standard package contains:

- Heater
- Control panel
- Mounting bracket
- Power cable of 4 meters and fuse
- Fuel pipe of 4 meters with filter

22GB



Installation accessories

- 3410 Outlet & intake ducting
- 3411 Outlet grill
- 4411 Inlet grill
- 3412 Insulation hose
- 2448 Exhaust tube (coaxial)
- 2467 Hull lead-through
- 4413 Intake grill (if duct not used)
- 3413 Warm air 3-way divider

Options

Technical specifications

7 - 10 m



Model:	22GB
Fuel:	Diesel
Power:	1 kW - 2.5kW (3,400btu - 8,525btu)
Operating voltage:	12V
Fuel consumption:	3.4 - 8.5 oz/h
Electricity consumption:	0.7 - 1.2 A
Air volume:	30 - 45 cfm
Special features:	Fresh air vent



2144 Westlake Avenue N., Suite D - Seattle, WA 98109 USA
 Toll Free: 1-888-606-6665
 Phone: 206-285-3675 Fax: 206-285-9532
 info@scanmarineusa.com - www.scanmarineusa.com