



# wallas®

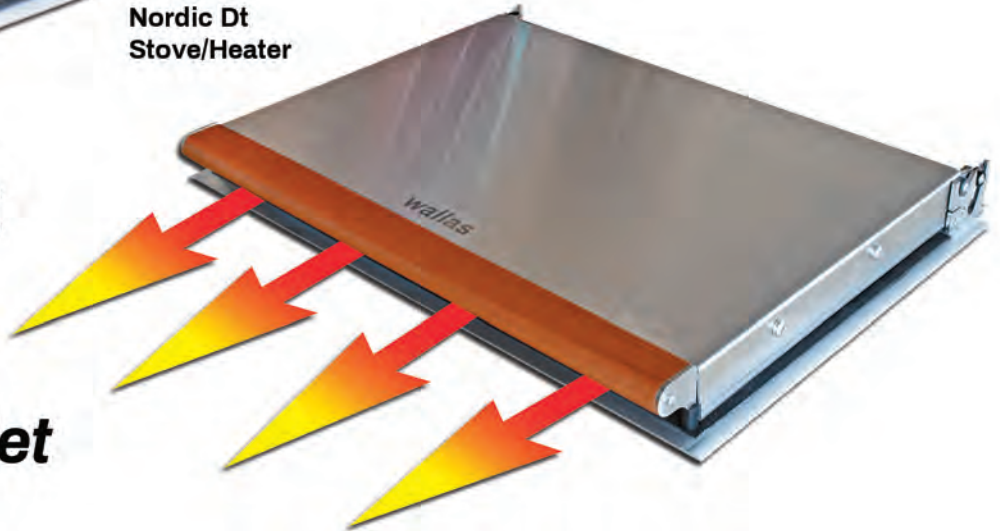


Nordic Dt  
Stove/Heater

Control Panel



## **NORDIC Dt Flush Mount Diesel Stove with *Ultra Quiet* Blower Lid**



- No exposed flame for safety.
- All combustion gases and water vapor are vented outside, keeping cabin dry.
- Clean, soot free, reliable design, brushless motors minimize maintenance.
- Blower lid converts stove into forced air cabin heater by lowering lid.
- Great looking ceramic cooktop for easy cleaning.
- Easy to install, also available in DP countertop version.
- Diesel fuel can be drawn directly from the main fuel tank or a day tank.
- Super quiet, variable output, no off/on system cycling.
- Superb corrosion free stainless steel and aluminum construction.
- Thermo control panel for great comfort control!



imported and distributed by:



**Factory Authorized Sales & Service Center**

2144 Westlake Ave. N., Suite D

Seattle, WA 98109 USA

Ph: 206-285-3675 - Fax: 206-285-9532

info@scanmarineusa.com

www.scanmarineusa.com



# Wallas Nordic Dt Ceramic Flush Mount Diesel Stove/Heater



The Nordic Dt ceramic stove/heater is the modern solution for all your mobile heating and cooking needs. It is available in either flush mount or surface mount versions. Features like fast cooking effect, easy to clean cooktop and automatic priming make it as convenient as your stove at home. The closed combustion chamber design makes cooking enjoyable, with all fumes vented outside, keeping your cabin fresh and dry. With the blower lid down, the stove becomes an efficient cabin heater. Happiest running on diesel #2 or diesel #1, the Nordic Dt is efficient, versatile and will provide many years of reliable service.



## SPECIFICATIONS:

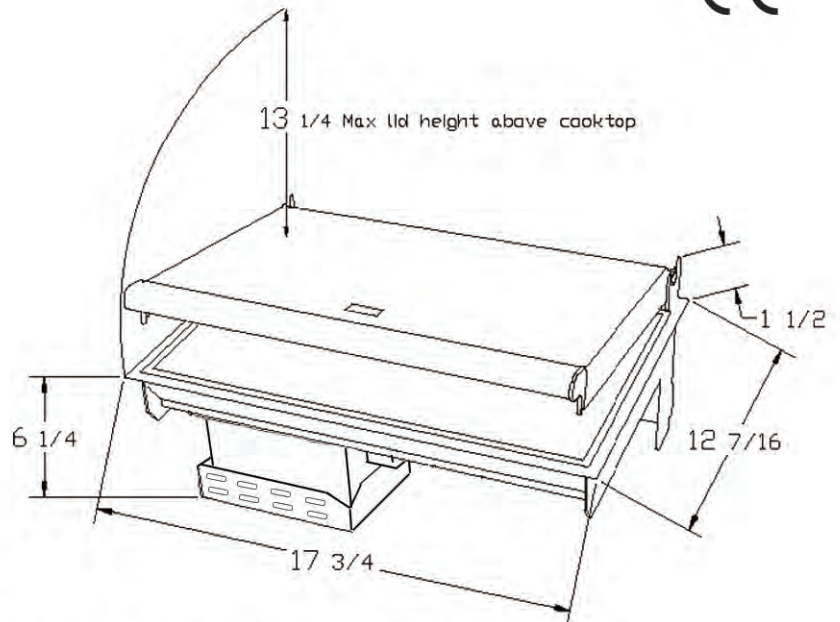
Heat output:	2,000 – 6,650 btu
Fuel type:	Diesel #2, #1
Fuel consumption:	3 to 6.5 oz/hour
Voltage:	12VDC
Full power amps:	0.75
Min. power amps:	0.5
Starting amps:	9.0 for 5 min
Weight:	27 lbs

## INCLUDED EQUIPMENT:

1 each	13 ft. fuel line, filter & adapters
1 each	13 ft. fused battery cables
1 each	PI control panel w/9 ft cable

## OPTIONS & ACCESSORIES

- 1066 Exhaust through hull
- 2460 Closeable exhaust through deck fitting
- 602307 adapter
- 1028 28mm flexible SS exhaust pipe
- 1029 Fiberglass insulation
- 1110 Pot holders
- 2024 5 liter fuel tank
- 2027 10 liter fuel tank
- 30011 Fuel tank pickup

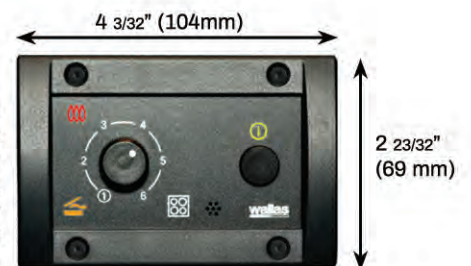


Note 1: There should be a minimum of 8" clearance below the counter top.

Note 2: Fuel should remain below stove at all times.

Note 3: Cabinet below unit should have a minimum of 16 square inches of ventilation within 3" below counter top.

Our "thermo capable panel should be mounted on a vertical surface. It comes with a bezel, or can be flush mounted. When heating, the panel senses room temperature and adjusts power output to keep your cabin warm and comfortable.



© 2018 Two Mac Inc.